

GUIDE TO UAS FLIGHT REQUIREMENTS AND LIMITATIONS ACCORDING TO THE INTENDED LOCATION OF OPERATION (UAS GEOGRAPHICAL ZONES)

(Edition 07, 25/08/2023)

RECORD OF EDITIONS		
EDITION	Date of APPLICABILITY	REASON FOR EDITING THE DOCUMENT
Ed 07	25/08/2023	Updating of obsolete links and references. Clarifications to the requirements for operations on agglomerations of buildings.

REFERENCES	
CODE	TITLE
UAS-OPS-DT01	Guía sobre requisitos y limitaciones al vuelo de UAS en función del lugar de operación (zonas geográficas de UAS)

LIST OF ACRONYMS	
ACRONYM	DESCRIPTION
AESA	Agencia Estatal de Seguridad Aérea
BVLOS	Operation beyond visual line of sight
MTOM	Maximum Take-Off Mass
UAS	Unmanned Aircraft Systems
VLOS	Operation within visual line of sight



INDEX

1. INTRODUCTION	5
1.1. Recreational activities vs. professional activities	5
1.2. SUMMARY OF TERMS OF AIRSPACE USE AND EQUIPMENT REQUIREMENTS.....	6
2. OPERATIONS OVER BUILT-UP AREAS IN CITIES, TOWNS OR INHABITED PLACES	8
2.1. RECREATIONAL ACTIVITIES	8
2.2. PROFESSIONAL ACTIVITIES.....	8
2.2.1. <i>Rules of operation of UAS in areas of building agglomeration.....</i>	<i>9</i>
3. OPERATIONS OVER ASSEMBLIES OF PEOPLE IN THE OPEN AIR.....	9
4. OPERATIONS IN THE VICINITY OF AIRPORTS, AERODROMES AND HELIPORTS	10
4.1. RECREATIONAL ACTIVITIES	10
4.2. PROFESSIONAL ACTIVITIES.....	10
4.2.1. <i>Model agreement between restricted use infrastructure and UAS operator</i>	<i>11</i>
4.2.2. <i>Military aerodromes</i>	<i>11</i>
5. OPERATIONS IN A CONTROLLED AIRSPACE OR IN A FLIGHT INFORMATION ZONE (FIZ)	11
5.1. RECREATIONAL ACTIVITIES	11
5.2. PROFESSIONAL ACTIVITIES.....	11
5.2.1. <i>Equipment and training requirements.....</i>	<i>11</i>
5.2.2. <i>Coordinated aviation safety study and coordination of operations with the ATSP.....</i>	<i>12</i>
5.2.3. <i>ATS flight plan (FPL message) and ATC clearance or communication to AFIS personnel</i>	<i>14</i>
6. OPERATIONS IN PROHIBITED (P), RESTRICTED (R) DANGER (D) AND SENSITIVE FAUNA (F) AREAS	15
6.1. RECREATIONAL ACTIVITIES	15
6.2. PROFESSIONAL ACTIVITIES.....	15
7. OPERATION IN AREAS RESTRICTED TO PHOTOGRAPHIC FLIGHT (ZRVF).....	16
8. OPERATIONS OVER OR IN THE VICINITY OF FACILITIES OF INTEREST TO NATIONAL DEFENCE OR STATE SECURITY AND NUCLEAR POWER PLANTS	16
8.1. RECREATIONAL ACTIVITIES	16
8.2. PROFESSIONAL ACTIVITIES.....	16
9. OPERATIONS OVER OR IN THE VICINITY OF CRITICAL FACILITIES AND INFRASTRUCTURE .	17
9.1. RECREATIONAL ACTIVITIES	17
9.2. PROFESSIONAL ACTIVITIES.....	17
APPENDIX I COORDINATION AGREEMENT BETWEEN RESTRICTED-AERODROMES AND HELIPORTS THE UAS OPERATOR	18



1.	INTRODUCCIÓN	18
2.	PARTES INVOLUCRADAS	19
2.1.	DATOS DEL OPERADOR UAS	19
2.2.	DATOS DEL GESTOR / JEFE DE VUELOS DEL AERÓDROMO / COORDINADOR UAS DE AERÓDROMO	19
3.	DETALLES DE LA OPERACIÓN	20
3.1.	CONCEPTO DE OPERACIÓN (CONOPS)	20
3.1.1.	<i>Categoría operacional</i>	20
3.1.2.	<i>Tipo de operación</i>	20
3.2.	FECHAS/HORAS DE LAS OPERACIONES	20
3.3.	UAS UTILIZADAS EN LA OPERACIÓN.....	21
3.4.	ZONAS Y CARACTERÍSTICAS DE LA/S OPERACIÓN/ES DE UAS.....	21
4.	DATOS DE LA INFRAESTRUCTURA DE USO RESTRINGIDO	22
5.	CONDICIONES OPERACIONALES	23
5.1.	OPERACIÓN NORMAL:	23
5.2.	ACTUACIONES EN CASO DE SITUACIONES ANORMALES Y DE EMERGENCIA:.....	24
6.	VALIDEZ DEL ACUERDO	24
7.	DECLARACIÓN DE RESPONSABILIDAD	24
8.	FIRMAS	25
	APPENDIX II LIST OF STRATEGIC AND TACTICAL MITIGATION MEASURES FOR UAS OPERATIONS IN FIZ AND CONTROLLED AIRSPACE	26
	APPENDIX III SAFETY DISTANCES FROM AERODROMES FOR OPERATIONAL RISK ASSESSMENT AND MITIGATION WITH ATSPS IN FIZ AND CONTROLLED AIRSPACE	47

1. INTRODUCTION

With the application of the European UAS Regulation on 31 December 2020, in addition to general flight limitations depending on the category of operations ('open', 'specific', 'certified'), **geographical zones** are also defined for Unmanned Aircraft Systems (UAS), corresponding to **volume of airspace in which UAS operations may be permitted, restricted or excluded** for reasons of safety and security, protection of facilities and other airspace users, or protection of privacy and the environment.

These geographical zones are defined by each Member State within its territories. MS may:

- Prohibit all or some UAS operations, require particular conditions for some or all UAS operations, or require prior operational authorisation for some or all UAS operations.
- Impose specific environmental rules on UAS operations.
- Allow access only to certain types of UAS.
- Allow access only to UAS with certain technical characteristics, in particular remote identification systems or geo-awareness systems.
- Allow 'free flight' or provide exemptions to one or more of the 'open' category requirements.

In the coming months, UAS national legislation in the form of a Royal Decree is expected to be approved, regulating in a single chapter the use of airspace and geographical zones by UAS. Until this legislation is approved, **the conditions of use of airspace set out in Royal Decree 1036/2017 and Royal Decree 1180/2018 shall apply. These provisions set out the requirements for operations and equipment linked to UAS geographical zones.**

The purpose of this guide is to **compile the transitional legal requirements for operations, as well as to provide a non-exhaustive list of notifications to be made, operational authorisations or permissions required according to the intended location of operation.** This is without prejudice to the need to comply with other requirements and to obtain any operational authorisation, permission or licence that may be required in accordance with the applicable legislation, in particular in matters of public safety, based on the competences of other public administrations or the ownership of the land overflown to be used in the operation.

ENAIRES, Aeronautical Information Service (AIS) provider in Spain, provides UAS users the [ENAIRES Drones](#) app (also available for Android devices in "Google Play Store"). This app shows, on a map of Spain, the airspace (up to 120m above ground level) in which UAS flight prohibitions and limitations exist for aeronautical reasons and it provides other useful information for UAS operators.

1.1. Recreational activities vs. professional activities

The Implementing Regulation (EU) 2019/947 which establishes the different categories of UAS operation depending on the risk ("open", "specific" and "certified") makes no distinction according to the purpose of the flight, recreational or professional use, i.e., **the general flight rules are applicable to all UAS operators and users alike.**

However, as indicated above, the requirements and limitations to UAS flight depending on the place of operation are established in Royal Decree 1036/2017 and Chapter XI of Royal Decree 1180/2018, regulations that do establish different requirements depending on the type of activity to be carried out if these rules are in force.

The terms "recreational activities" and "professional activities" are commonly used terms to differentiate between the different national regulatory requirements applicable depending on the purpose of the UAS operation:

- Recreational activities: refers to sport, recreational, competition and exhibition activities, as well as toy aircraft activities.
- Professional activities: refers to specialised aerial operations, also referred to as technical, scientific or aerial work. These are defined as any operation, whether commercial or non-commercial, where an unmanned aircraft is used to perform specialised activities such as research and development activities, agro-forestry activities, aerial surveys, photography, surveillance, filming, aerial advertising, radio and television broadcasting, etc.

1.2. SUMMARY OF TERMS OF AIRSPACE USE AND EQUIPMENT REQUIREMENTS

Airspace limitations are currently available for consultation at [ENAIRES Drones](#), including:

- The need for an operation to be conducted **outside the safety zone of any aerodrome**, unless there has been prior coordination with the infrastructure (article 45.3.b of Royal Decree 1180/2018 and additional provision two of Royal Decree 1036/2017).
- The need for an operation to be conducted **in uncontrolled airspace and outside a flight information zone (FIZ)**, unless there has been prior coordination with the air traffic service provider (ATSP) (article 45.3.c of Royal Decree 1180/2018 and additional provision two of Royal Decree 1036/2017).
- **Prohibited or restricted areas** for reasons of Defence, protection of national interests or security, or protection of the environment, and flight restriction zones (FRZ) in which aerial photography is prohibited (articles 18, 19 and 20 of Royal Decree 1180/2018 respectively and additional provision three of Royal Decree 1036/2017).

In addition, **other UAS flight limitations** are maintained:

- Prohibition —except with the express permission of the person responsible for the facilities in the case of professional activities— on overflying facilities of interest for purposes of national defence or State security, critical facilities or infrastructure in strategic sectors, and facilities or infrastructures associated with the chemical industry, transport, energy, water, and information and communication technologies (article 32 and additional provision three of Royal Decree 1036/2017).
- Flight restrictions zones over built-up areas in towns, cities or inhabited places, and over assemblies of people, and which, in all cases, require prior notification to the Ministry of the Interior at least ten days in advance.

The following table shows the limitations and requirements depending on the operational category, the type of operation to be carried out, and the area in which the operation is intended to take place:

	Requirement	Open cat. Recreational	Open cat. Professional	Specific cat. Recreational	Specific cat. Professional
Operations over built-up areas in cities, towns and inhabited locations	Prohibition on overflying built-up areas	FORBIDDEN* (Additional Prov. Three RD1036/2017)	ALLOWED	FORBIDDEN* (Additional Prov. Three RD1036/2017)	ALLOWED
	MTOM<10 kg, VLOS at a maximum distance of 100 m and a maximum height of 120 m in built-up areas	-	Yes. Max. MTOM 2kg (A1 or A2) (art.21.3 RD 1036/2017)	-	Yes (art.21.3 RD 1036/2017)
	Delimited areas or at a minimum horizontal safety distance of 50 m in built-up areas	-	Yes (art.21.3 RD 1036/2017)	-	Yes (art.21.3 RD 1036/2017)
	Specific aeronautical safety study for operations in built-up areas	-	Yes (art.45.3.a RD 1180/2018)	In accordance with RE (EU) 2019/947	In accordance with RE (EU) 2019/947
	Impact energy limitation device for operations in built-up areas	-	Yes **** (art.46 RD 1180/2018)	-	Yes**** (art.46 RD 1180/2018)
	Prior notification to the Ministry of the Interior for overflying built-up areas	-	Yes	-	Yes
	Prohibition on overflying reserved, prohibited or restricted areas	Yes (Disp. Additional 3rd RD1036/2017)	Pursuant to AIP conditions	Yes (Disp. Additional 3rd RD1036/2017)	Pursuant to AIP conditions
	Prohibition on overflying facilities of interest for national defence, State security, critical facilities or facilities associated with the chemical industry, transport, energy, etc.	Yes (Additional Prov. Three RD1036/2017)	Pursuant to art.32 of RD 1036/2017	Yes (Additional Prov. Three RD1036/2017)	Pursuant to art.32 of RD 1036/2017
	Keep at a safe distance from aerodromes	Yes** (Additional Prov. Two RD1036/2017)	Yes** (art45.3.b RD 1180/2018)	Yes** (Additional Prov. Two RD1036/2017)	Yes** (art45.3.b RD 1180/2018)
Operation in controlled airspace and/or a FIZ	Is it possible to operate in controlled airspace and/or a FIZ?	NO*** (Additional Prov. Two RD1036/2017)	NO*** (art.45.3.c RD 1180/2018)	NO*** (Additional Prov. Two RD1036/2017)	NO*** (art.45.3.c RD 1180/2018)
	Specific aeronautical safety study (EARO) for operations in controlled airspace and/or a coordinated FIZ, ATSP authorisation and ATS flight plan	-	Yes (art.45.3.c RD 1180/2018)	-	Yes (art.45.3.c RD 1180/2018)
	Have aeronautical communications equipment and certification as a radio operator	-	Yes (art.46 RD 1180/2018)	-	Yes (art.46 RD 1180/2018)
	Mode S Transponder available	-	With exception (art.46 RD 1180/2018)	-	Yes (art.46 RD 1180/2018)

* Except recreational activities with UAS with a maximum take-off mass of less than 250 g and a maximum height of 20 m.

** Unless previously coordinated with the aerodrome manager

***Except recreational activities that take place from infrastructures intended for the use of UAS previously coordinated with the Air Traffic Service Provider (ATSP) and professional activities previously coordinated with the ATSP.

****See Section 2 of this document.

2. OPERATIONS OVER BUILT-UP AREAS IN CITIES, TOWNS OR INHABITED PLACES

To facilitate the identification of building areas, the [ENAIRE Drones](#) application incorporates basemaps with "cartography", "street map" and "images with labels", as well as the layer with "cadastral cartography".

2.1. RECREATIONAL ACTIVITIES

UAS operations conducted exclusively in the framework of sports, recreational activities, competitions and exhibitions, as well as leisure activities related to aeromodelling over built-up areas in cities, towns or inhabited places, **are only allowed for unmanned aircrafts of up to 250 g operating at a maximum height of no more than 20m**, and always in sight of the remote pilot as determined in the additional provision three of Royal Decree 1036/2017.

In any case, the general rules of operation established for subcategory A1 of the open category of operations of Implementing Regulation (EU) 2019/947 must be complied with.

2.2. PROFESSIONAL ACTIVITIES

The professional use of UAS over built-up areas in cities, towns or inhabited places is limited to **UAS with a maximum take-off mass of 10 kg**, in sight of the remote pilot, and at a **maximum horizontal distance of 100m**. The UAS must have an **impact energy limiting device**^{1 2}(article 46 of Royal Decree 1180/2018) and the operator must have previously prepared a **specific aeronautical safety study** (article 45.3.a of Royal Decree 1180/2018).

The performance of each operation shall require prior notification to the **Ministry of the Interior at least ten working days in advance** before the operation. To make such notification, the Ministry of the Interior's website has a form that shall be filled in, at: [Ministry of Interior's website](#). [More information](#) about the procedure is on the "[Servicios al ciudadano](#)" section of the Ministry of the Interior's website.

In addition, some **Autonomous Communities**, within the scope of their competences in matters of citizen security, **may have established similar additional requirements** for UAS operations in built-up areas and over assemblies of people.

¹ The technical requirements associated with UAS that have obtained a class **C0** or **C1** marking in accordance with Regulation (EU) 2019/945, are considered to comply with the requirement to limit impact energy as they have been designed to reduce damage to people in the event of an accident.

² For aircraft with an MTOM < 250 g without class marking, if the impact energy is less than 80 J it is not essential that the device is a parachute, other types of devices such as propeller guards may be acceptable.

The authorities responsible for public safety in the territorial scope of the operation may restrict or prohibit the operation when it could seriously jeopardize the protection of people and assets. In the event that a restriction or prohibition is imposed on operations, the operator shall be notified.

Moreover, these operations must be carried out **over delimited areas**, in which the **competent authority** has limited the transit of people or vehicles; or, alternatively, by keeping a minimum horizontal distance of **50m from buildings or other types of infrastructure, and from any person**, except the operator's personnel or those intervening in the course of the operation (art. 21.3 Royal Decree 1036/2017).

2.2.1. Rules of operation of UAS in areas of building agglomeration

Therefore, professional activities with UAS may be conducted over built-up areas in cities, towns or inhabited places, provided that:

- The operation complies with the general rules of **subcategory A1 or A2** of the ['open' category](#) of Implementing Regulation (EU) 2019/947; a maximum horizontal distance of 100m is kept between the UA and the remote pilot; a specific aeronautical safety study is carried out; the UAS has an impact energy limitation device; prior notification is given to the Ministry of the Interior; and the competent authority delimits the area, or a minimum horizontal distance of 50m is kept from buildings and other types of structures, and from any person; or
- Operating in [specific category - operational declaration](#) according to the conditions and limitations of the **national standard scenario STS-ES-01 VLOS over a controlled land area in a populated environment** after communication to the Ministry of Interior, or
- Operating in [specific category - operational authorization](#) according to conditions and limitations of the authorization resolution issued or recognized by EASA, or
- It is a NON-EASA operation, complying with the requirements established in Royal Decree 1036/2017.

3. OPERATIONS OVER ASSEMBLIES OF PEOPLE IN THE OPEN AIR

Implementing Regulation (EU) 2019/947 does not allow the operation of UAS in an open category on concentrations of persons.

The overflight of meetings of people requires prior authorization from the **State Aviation Safety Agency within the framework of the "specific" and/or "certified" category**, or recognition by EASA of authorization issued by another EASA member state.

The AESA website has all the details on how to apply for an [authorization in the "specific" category](#), including the technical documentation to be provided and requirements to be met.

4. OPERATIONS IN THE VICINITY OF AIRPORTS, AERODROMES AND HELIPORTS

The list of aerodromes and heliports are specified in the Aeronautical Information Publication (AIP) and are represented in the [ENAIRES Drones](#) application together with the safety distances described below.

4.1. RECREATIONAL ACTIVITIES

Point 1.a of the Second Provision of Royal Decree 1036/2017 indicates that UAS users must fly drones and model airplanes **at a minimum distance of 8 km** from the reference point of any airport or aerodrome and the same distance from the axes of the runways and their extension, in both headers, up to a distance of 6 km from the threshold in the direction of distance from the track. This minimum distance may be reduced where agreed with the airport manager or infrastructure manager and, if any, with the aerodrome air traffic service provider, and the operation shall be in accordance with the relevant coordination procedure established by them.

The AESA website provides additional information on the coordination of recreational and sports activities in the aerodrome environment ([Model Aircraft Fields](#)).

4.2. PROFESSIONAL ACTIVITIES

Article 45.3.b of Royal Decree 1180/2018 establishes that UAS operations must be carried out at a **minimum distance of 8 km** from the reference point of any airport (ARP), aerodrome and heliport and the same distance from the axes of the runways and their extension, in both headers, up to a distance of 6 km counted from the threshold in the direction of distance from the runway, or, in the case of operations beyond the visual range of the pilot (BVLOS), when the infrastructure has instrument flight procedures (IFR), at a minimum distance of 15 km from that reference point (art. 45.3.b Royal Decree 1180/2018).

In all cases, these minimum distances to airports and aerodromes will be taken into account. However, it may be reduced where agreed with the **airport operator or infrastructure manager and, if available, with the aerodrome air traffic service provider (ATSP)**. The operation shall comply with the provisions of the relevant coordination procedure.

The agreed coordination procedures shall be documented and kept by the operator at the disposal of the State Aviation Safety Agency.

The listing and location of airports, aerodromes and heliports, together with the type of authorized traffic (VFR/IFR) and the owners/managers, is detailed in the [Aeronautical Information Publication \(AIP\)](#), especially in sections AD 1.3, AD 2 and ENR 5.5, as well as in the visual flight guidance of ENAIRES ("[VFR Guide](#)").

The safety distances described, as well as contact addresses of the infrastructures, are reflected in the [ENAIRES Drones](#) application.

4.2.1. Model agreement between restricted use infrastructure and UAS operator

A template coordination agreement between restricted aerodromes and UAS operators is included in Annex I to this document. This is an optional model intended to facilitate compliance with the regulatory requirement to document agreed coordination procedures. The content and formalization of the agreements must be commensurate with the place of operations, types of aircraft and complexity of flights.

This template is provided in editable format (.docx file) on the [AESA website](#).

4.2.2. Military aerodromes

Almost all military airfields and heliports have controlled airspace, so in compliance with art. 45.3.b. Royal Decree 1180/2018, the operation must also be coordinated with the air traffic service provider. In the case of military infrastructure, the aerodrome manager and air traffic service provider correspond to the command of the air base. The following section provides specific instructions for the coordination of UAS operations at aerodromes and military controlled airspace.

5. OPERATIONS IN A CONTROLLED AIRSPACE OR IN A FLIGHT INFORMATION ZONE (FIZ)

Controlled airspaces and FIZ are specified in the Aeronautical Information Publication (AIP) and are represented in the [ENAIRE Drones](#) application.

5.1. RECREATIONAL ACTIVITIES

UAS operations intended exclusively for sporting, recreational, competition and exhibition activities, as well as recreational activities typical of toy aircraft, must be carried out outside controlled airspace and flight information areas (FIZs). **Recreational activities in controlled airspace or FIZ may only be carried out from infrastructures intended for UAS flight whose controller has previously coordinated the conditions of use with the air traffic service provider.**

The AESA website provides additional information on the coordination of recreational and sports activities in controlled airspace or FIZ ([Model Aircraft Fields](#)).

5.2. PROFESSIONAL ACTIVITIES

The performance of specialized air operations with UAS in controlled airspace and / or FIZ is subject to compliance with the following requirements:

5.2.1. Equipment and training requirements

Without prejudice to what may be concluded from the aeronautical safety study indicated in the following paragraph, operation in controlled airspace requires adequate communications **equipment** capable of sustaining two-way communications with aeronautical stations and at the

frequencies indicated to comply with the requirements applicable to the airspace in which it operates, as established in article 46.1.a. of Royal Decree 1180/2018.

The remote pilot must have the necessary authorization to use the radio (**qualification of radio operator** for aeronautical communications) and prove an **adequate knowledge of the language** or languages to be used in communications with air traffic services, all in compliance with article 33.1.e of Royal Decree 1036/2017.

5.2.2. Coordinated aviation safety study and coordination of operations with the ATSP

Specialized air operations in controlled airspace or in-flight information zones (FIZs) requires a specific **Operational Risk Assessment and Mitigation (EARO)** study coordinated with the **Air Traffic Service Provider (ATSP)** for the airspace concerned. This allows confirmation of safety and coordination of operations.

To this end, **the ATSPs make available to operators, either on their website or upon request**, an "Operational Risk Assessment and Mitigation" ("EARO") format.

An EARO validated by the ATSP constitutes evidence of coordination of aeronautical safety study, in compliance with article 45.3.c of Royal Decree 1180/2018, and the coordination procedure with the ATSP, in accordance with the UAS. SPEC.040.1.b of Implementing Regulation (EU) 2019/947.

Regarding 'specific' category of operations, ConOps and mitigation measures included in the EARO should be the same as those indicated in the Aeronautical Safety Study (EAS) or Standard Scenario (STS). An EARO document may include:

- The contact details of the operator and of the ATSP.
- The operator's description of its concept of operations (CONOPS), indicating the category of operation of the flights it intends to operate and the particularities of the flights.
- The scope of the agreement, i.e., in which airspace and/or FIZ the EARO is applicable.
- The description by the operator of the models or types of UAS to be used for the flights to be performed in the controlled airspace and/or FIZ, as well as a description of the maximum operational volumes and the minimum contingency and emergency margins measured from the remote pilot's position (semantic model).
- The specific risk mitigation measures to be taken regarding the risk in the air and to ensure the safety and continuity of other operations, especially manned aircraft. A list of strategic and tactical mitigation measures for the operation of UAS in controlled airspace and in the FIZ has been included as an appendix to this guide, to facilitate the adoption of mitigation measures.
- Instructions to be followed by the UAS operator when conducting any flight in controlled airspace and/or FIZ based on the CONOPS described and within the agreed scope of application.
- Operational procedures to be followed in anomalous and emergency situations that may arise during coordinated operations, as well as a directory of essential or useful contacts in case of emergency.
- Formalisation of the coordination agreement between the UAS operator and the ATSP and, a statement of the period of validity of the agreement.

- EARO Appendix I, which establishes safety distances from aerodromes, for the purpose of Specific Operations and Risk Assessment (SORA), i.e., reducing the risk (likelihood/severity) to acceptable levels, and to manage the remaining risk to avoid the encounter of UAS with manned aircraft and, mitigate any possible risk in the air that UAS operations may pose to other aircraft operating in that airspace. These safety distances are based on aerodrome obstacle limitation surfaces and general flight procedures of manned aircraft departing from and approaching aerodromes.
- EARO Appendix II, where the operator must include, at the request of the ATSP, evidence of compliance with certain risk mitigation measures.
- EARO Appendix III may include acronyms used in the document.

AESA is working together with ATSP to develop standard templates for Operational Risk Assessment and Mitigation (EARO) forms for different operations such as ‘open’ category, CONOPS and for standard national scenarios. Standard EAROs define a concept of operations, establish measures to mitigate the associated risk and set out the procedure to be followed for each flight. Currently, the ATSP provide UAS operators with the following EARO templates:

EARO	CONOPS
Template A	<ul style="list-style-type: none"> - In the ‘open’ category of UAS operations - Maximum height of 60 m - In controlled airspace and/or FIZ - Safety distances outside the aerodrome, “non-aerodrome environment” (Appendix I EARO) - Daytime and/or night-time operations
Template B	<ul style="list-style-type: none"> - STS-ES-01 - In controlled airspace and/or FIZ - Safety distances outside the aerodrome “non-aerodrome environment” (Appendix I EARO)
Template C	<ul style="list-style-type: none"> - STS-ES-02 - In controlled airspace and/or FIZ - Safety distances outside the aerodrome “non-aerodrome environment” (Appendix I EARO)
Template D	<ul style="list-style-type: none"> - In the ‘open’ category of UAS operations - Maximum height of 120 m - In controlled airspace and/or FIZ - Safety distances outside the aerodrome “non-aerodrome environment” (Appendix I EARO) - Daytime and/or night-time operations

The contact details of the ATSP for the purposes of obtaining the forms and or templates for EARO and, to conduct the coordination activities, are as follows:

AIR TRAFFIC SERVICE PROVIDERS (ATSP)		
ORGANIZATION	Where to obtain the coordination form and standard EARO	CONTACT DETAILS
ENAIRE	On its website	Aplicación ENAIRE PLANEA
SKYWAY	Request by email sent to the central technical office	Technical Office Email: uas@skyway-ans.com
SAERCO	On its website or request by email sent to central services	Operations Management E-mail: uas@saerco.com
MINISTRY OF DEFENCE	Request by e-mail sent to the specific unit (military base)	The pertinent ATS unit, pursuant to Appendix 1 of the National Aeronautical Circular 10 August 2023 (AIC NTL 03/23) of AIP

Air traffic service providers and the units where they provide these services are detailed in AIP GEN_3.3, as well as in the application of [ENAIRE Drones](#) when selecting a controlled airspace or FIZ.

5.2.3. *ATS flight plan (FPL message) and ATC clearance or communication to AFIS personnel*

Pursuant to Royal Decree 1180/2018, UAS operators conducting operations in controlled airspace and/or FIZ must:

- **Submit a Flight Plan (FPL)** to the air traffic services.
- Obtain **prior authorisation from air traffic control or inform AFIS** personnel of the flights to be conducted.

The FPL **must specify that the flight is unmanned** (article 45.5 of Royal Decree 1180/2018).

Further information is available on the following ENAIRE website, as well as **specific instructions for completing and submitting a UAS FPL** online via the ICAROXI app:

https://www.enaire.es/services/drones/how_to_fly_drones_in_airspace_controlled_by_enaire

6. OPERATIONS IN PROHIBITED (P), RESTRICTED (R) DANGER (D) AND SENSITIVE FAUNA (F) AREAS

Prohibited (P), restricted (R), danger (D) and sensitive fauna (F) areas are detailed in the Aeronautical Information Publication (AIP), specifically in sections ENR 5.1 and ENR 5.6. They are also shown in the [ENAIRE Drones](#) app.

6.1. RECREATIONAL ACTIVITIES

Operations with unmanned aircraft systems (UAS) conducted exclusively within the framework of sporting, recreational activities, competitions and exhibitions, as well as leisure activities related to aeromodelling, **may not be carried out in reserved areas, prohibited areas or restricted airspace**, unless the authority responsible for said area has authorised the use of the sites for this purpose and they are correctly identified in the [AIP](#) (section ENR 5.5) and in the [ENAIRE Drones](#) app.

6.2. PROFESSIONAL ACTIVITIES

To fly in prohibited, restricted and danger areas, operators must **comply with the conditions and limitations described** in the AIP for each area. In all other cases, they must have obtained prior and express permission from the Spanish State to operate in prohibited areas (P) (in which case the operator must contact the ministerial authority responsible for that area), or from the competent authority designated for the rest of the areas (R, D and F areas).

In the case of operations in reserved or restricted airspace managed by bodies belonging to the Ministry of Defence, the published procedures are contained in the National Aeronautical Circular of 10 August 2023 (AIC NTL 03/23) of [AIP](#).

NOTAMs may be used to modify schedules and/or boundaries pertaining to danger areas, as well to establish temporary segregated areas (TSA) and temporary reserved areas (TRA). NOTAMs are available for consultation on [ENAIRE's ICAROXI webpage](#) as well as in the [ENAIRE DRONES](#) and [INSIGNIA](#) apps.

Regarding operations with UAS in protected environmental areas and spaces, in accordance with article 19 of Royal Decree 1180/2018 it is necessary to obtain prior and express permission from the manager of the protected space and comply with the restrictions established in the specific legislation in the case of national parks. In the case of other natural areas, the restrictions specified in article 19.2, sections a, b and c must be respected.

Information on natural areas is available for consultation on the [Red Natura 2000](#) network viewer (<http://natura2000.eea.europa.eu>) or in the [biodiversity viewer of the Ministry for Ecological Transition and Demographic Challenge](#), where the type of protection is indicated and the responsible contact details are provided (see the Standard Data Form in the case of Red Natura). These areas are also reflected in the [ENAIRE Drones](#) application through the layers "protected natural areas" and "special protection areas for birds".

7. OPERATION IN AREAS RESTRICTED TO PHOTOGRAPHIC FLIGHT (ZRVF)

The volumes of airspace associated with restricted access areas or facilities whose knowledge is protected and reserved as legally classified information (article 20 of Royal Decree 1180/2018) are flight restriction zones (ZRVF) in which photography, filming and any capture of aerial images is prohibited.

The list of flight restriction zones (ZRVF) is available in the [Aeronautical Information Publication \(AIP\)](#), specifically in sections ENR 5.7. It is also available on the [ENAIRE Drones](#) app with “RVF (Restricted to photographic flight) layer”.

Specialised aerial photography and aerial filming, as well as any other professional or recreational activity involving the capture of images in flight restriction zones (ZRVF) in which aerial photography is prohibited, are **subject to the provisions and guarantees determined by the Ministry of Defence**, for which they must make the appropriate prior request to the Cartographical and Photographic Centre of the Air Force (CECAF) pursuant to the *Procedure for requesting technical limitations for obtaining aerial photographs, aerial filming and data capture with any type of sensor by civil operators* established in the National Aeronautical Circular of 31 December 2020 (AIC NTL 05/20) of the [AIP](#).

COMPETENT AUTHORITY	
MINISTRY OF DEFENCE	Cartographical and Photographic Centre of the Air Force (CECAF) E-mail : cecaf@ea.mde.es

8. OPERATIONS OVER OR IN THE VICINITY OF FACILITIES OF INTEREST TO NATIONAL DEFENCE OR STATE SECURITY AND NUCLEAR POWER PLANTS

8.1. RECREATIONAL ACTIVITIES

UAS operations conducted exclusively in the framework of sports, recreational activities, competitions and exhibitions, as well as leisure activities related to aeromodelling, **shall not overfly facilities of interest to national defence or State security and nuclear power plants, including their security zone.**

8.2. PROFESSIONAL ACTIVITIES

The overflight of facilities for the purposes of national defence or State security, as well as activities within their security zone, and of nuclear plants may only be carried out with the **prior and express permission of the infrastructure manager** (Art. 32.1 RD 1036/2017).

The classification of military facilities, restrictions, and distances to be kept with respect to such infrastructures are established in *Royal Decree 689/1978 of 10 February, which approves the Regulation on Zones and Facilities of interest for National Defence, which implements Law 8/1975, of 12 March, on Zones and Facilities of interest for purposes of National Defence.*

9. OPERATIONS OVER OR IN THE VICINITY OF CRITICAL FACILITIES AND INFRASTRUCTURE

9.1. RECREATIONAL ACTIVITIES

UAS operations conducted exclusively in the framework of sports, recreational activities, competitions, and exhibitions, as well as leisure activities related to aeromodelling, shall **not overfly critical facilities and infrastructure**. In all cases, UAS may only overfly facilities and infrastructure related to the chemical industry, transport, energy, water, and information and communication technologies at a minimum height of 50 m and at a minimum distance of 25 m from their central axis in the case of linear infrastructure, and at a distance of at least 10 m from their outer perimeter in all other cases.

9.2. PROFESSIONAL ACTIVITIES

According to article 32 of Royal Decree 1036/2017, UAS may only overfly critical facilities and infrastructure **with prior and express permission from the person responsible of the infrastructure**.

The overflight of UAS over critical facilities and infrastructure of strategic sectors as in accordance with the provisions of Law 8/2011, of 28 April, which establishes measures for the protection of critical infrastructure, is subject to the general prohibitions and limitations on overflight of facilities provided for in article 32.2 paragraph 2 of Royal Decree 1036/2017, except for those of an exceptional and permanent nature which may be established by the Secretary of State for Security, Ministry of the Interior, which shall be published in the AIP (see section 6). SPECIALIZED OR EXPERIMENTAL AERIAL OPERATION IN PROHIBITED (P), RESTRICTED (R) AND DANGER (D), AND/OR SENSITIVE FAUNA (F) AREAS.

In addition to the above, UAS may only **fly over facilities and infrastructure related to the chemical industry, transport, energy, water and information and communication technologies at a minimum height of 50 m and at a minimum horizontal distance of 25 m from their central axis in the case of linear infrastructure, and at a distance of at least 10 m from their external perimeter in all other cases, unless express permission to operate in this protected area has been obtained from the responsible party.**



APPENDIX I

COORDINATION AGREEMENT BETWEEN RESTRICTED-AERODROMES AND HELIPORTS THE UAS OPERATOR

1. INTRODUCCIÓN

El operador de UAS [Incluir nombre del operador] pretende realizar operaciones aéreas especializadas en el área de influencia del aeródromo³ [Incluir nombre del aeródromo/helipuerto].

Tal y como se indica en el Artículo 45 del Real Decreto 1180/2018, por el que se desarrolla el Reglamento del aire, *“las operaciones realizadas con RPAS deberán realizarse fuera de la zona de tránsito de aeródromo y a una distancia mínima de 8 km del punto de referencia de cualquier aeropuerto o aeródromo y la misma distancia respecto de los ejes de pista y su prolongación, en ambas cabeceras, hasta una distancia de 6 km contados a partir del umbral en sentido de alejamiento de la pista. Esta distancia puede reducirse cuando así se haya acordado con el gestor aeroportuario o el responsable de las infraestructuras, y la operación se ajustará a lo establecido por estos en el correspondiente procedimiento de coordinación”*. Asimismo, el artículo 24 del Real Decreto 1036/2017 por el que se regula la utilización civil de RPAS [...] establece que *“los procedimientos de coordinación acordados con el gestor aeroportuario [...] deberán documentarse y el operador debe mantenerlo a disposición de AESA. El contenido mínimo de estos procedimientos será el necesario, en cada caso, atendiendo entre otros al tipo de operación, volumen de tráfico y operaciones habituales del aeródromo, para garantizar la seguridad de la operación en dicho entorno y la del resto de los tráficos de la infraestructura.”*

Por tanto, para dar cumplimiento a los requisitos normativos anteriores, se hace necesario establecer el presente acuerdo de coordinación con la finalidad de concretar los procedimientos específicos necesarios para operación de UAS en el entorno de un aeródromo.

³ Siempre que se hable de aeródromo puede ser aeródromo, helipuerto o campo de ULM.



2. PARTES INVOLUCRADAS

2.1. DATOS DEL OPERADOR UAS

Nombre del operador / Empresa :

Documento de identificación (DNI / NIF / NIE / Pasaporte):

Representante de la empresa:

Documento de identificación representante (DNI / NIF / NIE / Pasaporte):

Dirección:

Teléfono fijo:

Teléfono móvil:

Correo electrónico:

Nombre del piloto remoto:

Teléfono de contacto del piloto remoto:

Medio de contacto preferente durante la operación:

Telf. Móvil / Telf. Fijo / Radio VHF** – Frecuencia

**Nota: debe disponerse de la habilitación necesaria para su uso

2.2. DATOS DEL GESTOR / JEFE DE VUELOS DEL AERÓDROMO / COORDINADOR UAS DE AERÓDROMO

Nombre del aeródromo:

Nombre Gestor / Jefe de vuelos / Coordinador UAS de aeródromo:

Documento de identificación (DNI / NIF / NIE / Pasaporte):

Dirección:

Teléfono fijo:

Teléfono móvil:

Correo electrónico:

Medio de contacto preferente durante la operación:

Telf. Móvil / Telf. Fijo / Radio VHF** – Frecuencia

**Nota: debe disponerse de la habilitación necesaria para su uso

3. DETALLES DE LA OPERACIÓN

3.1. CONCEPTO DE OPERACIÓN (CONOPS)

3.1.1. *Categoría operacional*

- Categoría abierta:
 - Subcategoría A1
 - Subcategoría A2
 - Subcategoría A3
- Categoría específica:
 - Escenario estándar nacional STS-ES-01
 - Escenario estándar nacional STS-ES-02
 - Autorización operacional: [Código autorización AESA]

3.1.2. *Tipo de operación*

- Operación aérea VLOS (Dentro del alcance visual del piloto)
- Operación aérea BVLOS (Mas allá del alcance visual del piloto)

3.2. FECHAS/HORAS DE LAS OPERACIONES

- Validez acotada

Este acuerdo de coordinación se realiza para las operaciones que se llevaran a cabo en las fechas [Intervalo de fecha de la operación] , en el horario [Horario aproximado de la operación] y con una duración aproximada de [Duración aproximada de la operación].

- Validez indefinida

*Nota: Para aquellas operaciones que se vayan a realizar de manera reiterativa cumpliendo el resto de las condiciones establecidas en este acuerdo (naturaleza de operación, zona de actividad, etc.), y siempre que se considere conveniente, este acuerdo se puede considerar con validez indefinida siempre y cuando así se refleje tanto por parte del operador UAS como el gestor / jefe de vuelos de aeródromo.



4. DATOS DE LA INFRAESTRUCTURA DE USO RESTRINGIDO

Tipo de infraestructura de uso restringido:

Aeródromo / Helipuerto / Campo ULM

Punto de referencia de la infraestructura (Coordenadas geográficas en sistema WGS84):

Latitud:

Longitud:

Horario actividad:

Procedimientos de aproximación y despegue:

(Google earth o similar, carta aeronáutica, croquis, etc.)

5. CONDICIONES OPERACIONALES

Para garantizar la seguridad de las operaciones del UAS en el área de influencia del aeródromo, estas se realizarán con las siguientes condiciones:

5.1. OPERACIÓN NORMAL:

- La operación se realizará dentro del volumen de espacio aéreo definido en los detalles de la operación, limitando estos parámetros bien mediante métodos como, la controladora de vuelo de la aeronave (geo-caging) o mediante un observador dedicado.
- Comprobación por parte del operador UAS de los NOTAM (Notice to Airmen) publicados para la zona de operación. (<https://drones.enaire.es/>)
- El operador UAS informara al gestor/jefe de vuelos del aeródromo, al medio de comunicación preferente, en el momento de inicio y fin de la operación.
- El operador UAS informará al operador/es aéreos que utilizan dicha infraestructura (centro de operaciones, tripulación, etc.) el inicio y fin de las operaciones al/los contacto/s:
- .
- El operador reducirá lo máximo posible el tiempo de operación, para de esta forma minimizar la afección sobre las operaciones del aeródromo y el medio ambiente.
- El inicio de la operación estará sujeta a la coordinación previa con el gestor / jefe de vuelos, de tal forma que se afecte lo menos posible a las operaciones.
- El operador de UAS dispondrá de una emisora (o receptor) de banda aérea conectada a la frecuencia de auto información (aire-aire) utilizada en la zona del campo de vuelo/helipuerto, comunicando cuando vuela el UAS y estando a la escucha ante la llegada/salida de aeronaves.
- Se requiere la calificación de radiofonista para comunicar a través de la emisora de banda aérea.
- El operador solicitará un NOTAM indicando el horario y volumen de operación.
- El gestor/jefe de vuelos del aeródromo solicitará un NOTAM indicando el horario y volumen de operación.
- Otros:

5.2. ACTUACIONES EN CASO DE SITUACIONES ANORMALES Y DE EMERGENCIA:

- Disponibilidad por parte del operador UAS de un Procedimiento de Emergencia particularizado (contactos, zona de recuperación, ...) que tenga, como medida principal, el aviso por medio preferente de comunicación al gestor / jefe de vuelos en caso de “fly-away” o cualquier otra situación de emergencia.
- El operador UAS se compromete a realizar un aterrizaje inmediato siempre que pueda existir peligro o se pueda entrar en conflicto con cualquier aeronave tripulada que acceda a la zona de operación. Filosofía “See and Avoid”.
- El operador UAS se compromete a realizar un aterrizaje inmediato cuando le sea comunicado por parte del gestor / jefe de vuelos /operador.
- Otros:

6. VALIDEZ DEL ACUERDO

El presente acuerdo únicamente será válido para las operaciones indicadas en él, en las condiciones que se han acordado, así como para las fechas especificadas.

7. DECLARACIÓN DE RESPONSABILIDAD

El operador de UAS declara que a en la fecha de realización de la operación dispondrá de todas las habilitaciones, autorizaciones, certificados y/o coordinaciones adicionales requeridas según el Reglamento de Ejecución (UE) 2019/947 y las coordinaciones u autorizaciones adicionales necesarias para realizar las operaciones en el lugar de vuelo pretendido conforme a lo indicado en el Real Decreto 1036/2017 y en el Real Decreto 1180/2018.

Por otro lado, deberá cumplir con otra normativa de obligado cumplimiento, especialmente la relativa a protección de datos, el derecho a la intimidad, la toma de imágenes aéreas o las de tipo medioambiental.

8. FIRMAS

En prueba de conformidad, ambas partes firman el presente acuerdo de coordinación en la fecha mencionada.

<p>Firma responsable operador RPAS</p> <p>(lugar y fecha)</p> <p>a</p>	<p>Firma gestor /jefe de vuelos del aeródromo / coordinador UAS de aeródromo</p> <p>(lugar y fecha)</p> <p>a</p>
---	---



APPENDIX II

LIST OF STRATEGIC AND TACTICAL MITIGATION MEASURES FOR UAS OPERATIONS IN FIZ AND CONTROLLED AIRSPACE

El presente documento establece un catálogo de medidas de atenuación del riesgo en el aire para operaciones que tengan lugar en espacio aéreo controlado y en zonas de información de vuelo (FIZ). Estas mitigaciones son siempre adicionales a las intrínsecas de la categoría operacional que define el vuelo pretendido (categoría "abierta" o "específica").

Las mitigaciones a aplicar deberán coordinarse con el Proveedor de Servicios de Tránsito Aéreo (ATSP) mediante una Evaluación y Atenuación del Riesgo Operacional (EARO), en la que también deben figurar el concepto de operación (CONOPS) pretendido, el/los modelo/s semántico/s de la actividad, las acciones concretas de coordinación de cada operación y los procedimientos específicos ante situaciones anormales y de emergencia.

El ATSP podrá requerir otras atenuaciones no contempladas en el presente documento cuando la singularidad de las operaciones y características del entorno lo justifiquen.

CÓDIGO	TIPO DE ATENUACIÓN	MEDIDA DE ATENUACIÓN	ÁMBITO DE APLICACIÓN		OBSERVACIONES
			Categoría operacional	CONOPS	
MAE01	Estratégica	Disponer de los conocimientos necesarios para obtener la calificación de radiofonista , acreditados mediante habilitación anotada en una licencia de piloto o certificación emitida por una organización de formación aprobada (ATO) o escuela de ultraligeros.	- Categoría abierta - STS-ES-01 - STS-ES-02 - Categoría específica bajo autorización	- Fuera de las distancias de seguridad de aeródromos - Dentro de las distancias de seguridad de aeródromos	Art. 33.1.e RD 1036/2017
MAE02	Estratégica	Acreditar un conocimiento adecuado del idioma o idiomas utilizados en las comunicaciones entre el controlador y la aeronave, atendiendo a las condiciones operativas del espacio aéreo en el que se realice la operación.	- Categoría abierta - STS-ES-01 - STS-ES-02 - Categoría específica bajo autorización	- Fuera de las distancias de seguridad de aeródromos - Dentro de las distancias de seguridad de aeródromos	Art. 33.1.e RD 1036/2017
MAE03	Estratégica	Disponer de un equipo de comunicaciones adecuado capaz de sostener comunicaciones bidireccionales con las estaciones aeronáuticas y en las frecuencias indicadas para cumplir los requisitos aplicables al espacio aéreo en que se opere.	- Categoría abierta - STS-ES-01 - STS-ES-02 - Categoría específica bajo autorización	- Fuera de las distancias de seguridad de aeródromos - Dentro de las distancias de seguridad de aeródromos	Art. 46.1.a RD 1180/2018

MAE04	Estratégica	Disponer de un sistema de comunicación alternativo con la dependencia ATS (Telefonía móvil).	<ul style="list-style-type: none"> - Categoría abierta - STS-ES-01 - STS-ES-02 - Categoría específica bajo autorización 	<ul style="list-style-type: none"> - Fuera de las distancias de seguridad de aeródromos - Dentro de las distancias de seguridad de aeródromos 	
MAE05	Estratégica	Contar con un estudio aeronáutico de seguridad realizado al efecto por el operador y coordinado con el proveedor de servicios de tránsito aéreo designado en el espacio aéreo de que se trate, en el que se constate la seguridad de la operación. La operación se realizará con sujeción a las condiciones y limitaciones y establecidas en dicho estudio aeronáutico de seguridad.	<ul style="list-style-type: none"> - Categoría abierta - STS-ES-01 - STS-ES-02 - Categoría específica bajo autorización 	<ul style="list-style-type: none"> - Fuera de las distancias de seguridad de aeródromos - Dentro de las distancias de seguridad de aeródromos 	<p>Art. 45.3.c RD 1180/2018</p> <p>En el caso de categoría abierta y STS-ES será el documento de “Evaluación y atenuación del riesgo operacional para las operaciones con UAS en espacio aéreo controlado y zona de información de vuelo (FIZ)”.</p>

MAE06	Estratégica	Se ha establecido un procedimiento de coordinación con el proveedor de servicios pertinente para el espacio aéreo si toda la operación, o parte de ella, se lleva a cabo en un espacio aéreo controlado.	<ul style="list-style-type: none"> - STS-ES-01 - STS-ES-02 - Categoría específica bajo autorización 	<ul style="list-style-type: none"> - Fuera de las distancias de seguridad de aeródromos - Dentro de las distancias de seguridad de aeródromos 	<p>UAS.SPEC.040.1.b</p> <p>En el caso de STS-ES será el documento de “Evaluación y atenuación del riesgo operacional para las operaciones con UAS en espacio aéreo controlado y zona de información de vuelo (FIZ)”.</p>
MAE07	Estratégica	Presentar plan de vuelo para los servicios de tránsito aéreo (FPL). En el plan de vuelo se hará constar expresamente que se trata de una aeronave no tripulada.	<ul style="list-style-type: none"> - Categoría abierta - STS-ES-01 - STS-ES-02 - Categoría específica bajo autorización 	<ul style="list-style-type: none"> - Fuera de las distancias de seguridad de aeródromos - Dentro de las distancias de seguridad de aeródromos 	Art. 45.5 RD 1180/2018
MAE08	Estratégica	Cuando se realicen operaciones autónomas, en el plan de vuelo se hará constar expresamente que se trata de una aeronave no tripulada autónoma.	<ul style="list-style-type: none"> - Categoría específica bajo autorización 	<ul style="list-style-type: none"> - Fuera de las distancias de seguridad de aeródromos - Dentro de las distancias de seguridad de aeródromos 	

MAE09	Estratégica	<p>Coordinación con el gestor del aeródromo, incluyendo helipuertos, si se pretende operar a una distancia inferior a 8 km del punto de referencia de cualquier aeropuerto o aeródromo y la misma distancia respecto de los ejes de las pistas y su prolongación, en ambas cabeceras, hasta una distancia de 6 km contados a partir del umbral en sentido de alejamiento de la pista, o, para el caso de operaciones más allá del alcance visual del piloto (BVLOS), cuando la infraestructura cuente con procedimientos de vuelo instrumental, a una distancia inferior a 15 km de dicho punto de referencia. En el caso de operar dentro de un radio de 8 km de cualquier aeropuerto, el establecimiento de una coordinación con los gestores de las infraestructuras aeroportuarias, incluyendo los helipuertos.</p>	<ul style="list-style-type: none"> - Categoría abierta - STS-ES-01 - STS-ES-02 - Categoría específica bajo autorización 	<ul style="list-style-type: none"> - Fuera de las distancias de seguridad de aeródromos - Dentro de las distancias de seguridad de aeródromos 	Art. 45.3.b RD 1180/2018
-------	-------------	--	---	---	--------------------------

MAE10	Estratégica	<p>La comprobación en el AIP de los distintos procedimientos de salida y arribada de dicho aeropuerto en función de sus posibles configuraciones operacionales (pista en uso).</p> <p>Las operaciones deben realizarse por personal que tenga las competencias adecuadas para cumplir con las mitigaciones de consulta e interpretación de PROCEDIMIENTOS DE VUELO.</p>	<ul style="list-style-type: none"> - Categoría abierta >60 m de altura - STS-ES-01 >60 m de altura - STS-ES-02 - Categoría específica bajo autorización 	<ul style="list-style-type: none"> - Fuera de las distancias de seguridad de aeródromos 	<p>La formación de piloto a distancia definida por EASA no incluye la familiarización con el AIP y la interpretación de cartas aeronáuticas por lo que deberá evidenciarse la correcta implementación de esta medida como anexo en la Evaluación y atenuación del riesgo operacional.</p>
MAE11	Estratégica	<p>Restricción operacional en tiempo de exposición. (emplear el menor tiempo posible).</p>	<ul style="list-style-type: none"> - Categoría abierta - STS-ES-01 - STS-ES-02 - Categoría específica bajo autorización 	<ul style="list-style-type: none"> - Fuera de las distancias de seguridad de aeródromos - Dentro de las distancias de seguridad de aeródromos 	
MAE12	Estratégica	<p>La coordinación previa, en la evaluación y atenuación del riesgo operacional, de código ARCID e identificador de llamada (<i>callsign</i>) a emplear en las operaciones.</p>	<ul style="list-style-type: none"> - Categoría abierta - STS-ES-01 - STS-ES-02 - Categoría específica bajo autorización 	<ul style="list-style-type: none"> - Fuera de las distancias de seguridad de aeródromos - Dentro de las distancias de seguridad de aeródromos 	<p>Se evidencia en un anexo de la Evaluación y mitigación de riesgos.</p>

MAE13	Estratégica	Coordinación previa, en la evaluación y atenuación del riesgo operacional, del idioma o idiomas a emplear en las comunicaciones aeronáuticas entre el operador y el servicio de tránsito aéreo.	<ul style="list-style-type: none"> - Categoría abierta - STS-ES-01 - STS-ES-02 - Categoría específica bajo autorización 	<ul style="list-style-type: none"> - Fuera de las distancias de seguridad de aeródromos - Dentro de las distancias de seguridad de aeródromos 	Se considerará especialmente cuando se trate de operadores extranjeros que vengan a operar en España (idioma inglés o español).
MAE14	Estratégica	Análisis de las franjas horarias con menor densidad de tráfico aéreo en la zona de operaciones prevista.	<ul style="list-style-type: none"> - Categoría abierta - STS-ES-02 - Categoría específica bajo autorización 	<ul style="list-style-type: none"> - Dentro de las distancias de seguridad de aeródromos 	A evaluar por el gestor aeroportuario cuando se coordine con este (MAE09) según sus procedimientos (p. ej. EXA80 de AENA).
MAE15	Estratégica	Restricción operacional y definición del volumen de operación reforzado por geocaging/ geofencing/ software, necesariamente en altura AGL y, siempre que sea posible, al abrigo de obstáculos u orografía.	<ul style="list-style-type: none"> - Categoría abierta - STS-ES-01 - STS-ES-02 - Categoría específica bajo autorización 	<ul style="list-style-type: none"> - Fuera de las distancias de seguridad de aeródromos - Dentro de las distancias de seguridad de aeródromos 	<p>Art. 46.1.c RD 1180/2018</p> <p>Equipos para garantizar que la aeronave opere dentro de las limitaciones previstas, incluyendo el volumen de espacio aéreo en el que se pretende que quede confinado el vuelo.</p> <p>Se evidencia en un anexo de la Evaluación y atenuación del riesgo operacional.</p>

MAE16	Estratégica	Medidas para conocer la posición y altura del UA (valores técnicos a cumplir según el Apéndice O de AESA en función del riesgo).	<ul style="list-style-type: none"> - Categoría abierta - STS-ES-01 - STS-ES-02 - Categoría específica bajo autorización 	<ul style="list-style-type: none"> - Fuera de las distancias de seguridad de aeródromos - Dentro de las distancias de seguridad de aeródromos 	<p>Art. 46.1.c RD 1180/2018</p> <p>Equipos para garantizar que la aeronave opere dentro de las limitaciones previstas, incluyendo el volumen de espacio aéreo en el que se pretende que quede confinado el vuelo.</p> <p>Aplicable a UAS sin marcado de clase.</p> <p>Se evidencia en anexo de la Evaluación y atenuación del riesgo operacional.</p>
MAE17	Estratégica	<p>Ofrecer asistencia barométrica al GPS en el cálculo de altura AGL de la aeronave no tripulada.</p> <p>Se entiende por asistencia barométrica que el UAS combine la estimación de altura que resulta de la señal GPS con otra medida proporcionada por un barómetro también integrado en el sistema.</p>	<ul style="list-style-type: none"> - Categoría abierta - STS-ES-01 - STS-ES-02 - Categoría específica bajo autorización 	<ul style="list-style-type: none"> - Fuera de las distancias de aeródromos por encima de 60 m. - Dentro de las distancias de seguridad de aeródromos 	<p>Se considerará especialmente en entornos urbanos y zonas abruptas donde la cobertura GNSS puede verse afectada.</p>

MAE18	Estratégica	Cuando se utilice una aeronave no tripulada anclada, solo se ubicará en zonas que no entorpezca las operaciones de otros usuarios del espacio aéreo, y siempre se coordinará previamente su ubicación con la dependencia ATS afectada.	- Categoría abierta - Categoría específica bajo autorización	- Fuera de las distancias de seguridad de aeródromos y más de 60m de altura	
MAE19	Estratégica	Las operaciones con aeronaves no tripuladas ancladas dentro de las distancias de seguridad de aeródromos deberán realizarse en periodos “valle” de actividad. Por otro lado, cuando la ubicación del vuelo de la aeronave no tripulada tenga lugar en las trayectorias estándar de vuelo de las aeronaves tripuladas, se garantizará que la operación pueda ser suspendida mediante el aterrizaje de la aeronave no tripulada con margen previo suficiente al sobrevuelo de dicha zona por la aeronave tripulada.	- Categoría abierta - Categoría específica bajo autorización	- Dentro de las distancias de seguridad de aeródromos	El gestor aeroportuario evaluaría “periodos valle” cuando se coordine con este según sus procedimientos (p. ej. EXA80 de AENA). Necesaria mitigación de evaluación de procedimientos de vuelo.
MAE20	Estratégica	Cuando se vuele por encima de 120 m alrededor de un obstáculo, deberá definirse una distancia horizontal máxima del piloto al obstáculo de tal forma que mantenga la consciencia situacional.	- Categoría abierta - STS-ES-01 - Categoría específica bajo autorización	- Fuera de las distancias de seguridad de aeródromos - Dentro de las distancias de seguridad de aeródromos	

MAE21	Estratégica	Establecer zonas adicionales de seguridad, horizontales y verticales.	<ul style="list-style-type: none"> - Categoría abierta - STS-ES-01 - STS-ES-02 - Categoría específica bajo autorización 	<ul style="list-style-type: none"> - Fuera de las distancias de seguridad de aeródromos - Dentro de las distancias de seguridad de aeródromos 	Podrá ser requerida por ATSP en la coordinación pretáctica, en función del lugar concreto de operaciones, y de forma justificada.
MAE22	Estratégica	Disponer de una estación meteorológica portátil para medir en tiempo real el viento en la zona de operaciones (dirección e intensidad)	<ul style="list-style-type: none"> - Categoría abierta - STS-ES-01 - STS-ES-02 - Categoría específica bajo autorización 	<ul style="list-style-type: none"> - Fuera de las distancias de seguridad de aeródromos - Dentro de las distancias de seguridad de aeródromos 	Podrá ser requerida por ATSP.
MAE23	Estratégica	Realizar la operación de UAS en el momento más adecuado, determinado este por la dependencia ATS afectada.	<ul style="list-style-type: none"> - Categoría abierta - STS-ES-01 - STS-ES-02 - Categoría específica bajo autorización 	<ul style="list-style-type: none"> - Dentro de las distancias de seguridad de aeródromos 	A nivel pretáctico y táctico.
MAE24	Estratégica	En caso de vuelos en entornos que no queden al abrigo de orografía, edificios o estructuras, se procederá, a criterio de la dependencia, a la publicación de un NOTAM si se superan los 60 m de altura y hasta 120 m de altura (100 m de altura en STS-ES-02).	<ul style="list-style-type: none"> - Categoría abierta - STS-ES-02 - Categoría específica bajo autorización 	<ul style="list-style-type: none"> - Fuera de las distancias de seguridad de aeródromos 	

MAE25	Estratégica	Se procederá a la publicación de un NOTAM si se superan los 120 m de altura.	- Categoría específica bajo autorización	- Fuera de las distancias de seguridad de aeródromos	
MAE26	Estratégica	A criterio de la dependencia, publicación de la operación en un NOTAM, ATIS, DATIS u otro medio de difusión aeronáutica.	- Categoría abierta - STS-ES-01 - STS-ES-02 - Categoría específica bajo autorización	- Dentro de las distancias de seguridad de aeródromos	
MAE27	Estratégica	Contar con procedimientos para la comprobación de las actividades y advertencias para los usuarios del espacio aéreo (NOTAM) en la zona de operaciones prevista.	- Categoría abierta - STS-ES-01 - STS-ES-02 - Categoría específica bajo autorización	- Fuera de las distancias de seguridad de aeródromos	Se evidencia en anexo de la Evaluación y mitigación del riesgo operacional (consulta Drones ENAIRE / ICARO XXI)

MAE28	Estratégica	<p>Contar con procedimientos para la comprobación de las actividades y advertencias para los usuarios del espacio aéreo (NOTAM) en la zona de operaciones prevista, así como consulta e interpretación del ATIS y el DATIS.</p> <p>Las operaciones deben realizarse por personal que tenga las competencias adecuadas para cumplir con las mitigaciones de consulta e interpretación de NOTAM, ATIS y DATIS.</p>	<ul style="list-style-type: none"> - Categoría abierta - STS-ES-01 - STS-ES-02 - Categoría específica bajo autorización 	<p>- Dentro de las distancias de seguridad de aeródromos</p>	<p>La formación de piloto a distancia definida por EASA no incluye la familiarización con el AIP y la interpretación de cartas aeronáuticas por lo que deberá evidenciarse en anexo de la Evaluación y atenuación del riesgo operacional (consulta Drones ENAIRE / ICARO XXI / consulta frecuencias ATIS en AIP).</p>
MAE29	Estratégica	<p>Contar con procedimientos de consulta y análisis de los procedimientos de vuelo ligados a las operaciones de despegue y aterrizaje de los aeropuertos implicados, incluyendo aproximaciones frustradas y despegues con fallo de motor.</p>	<ul style="list-style-type: none"> - Categoría abierta - STS-ES-01 - STS-ES-02 - Categoría específica bajo autorización 	<p>- Dentro de las distancias de seguridad de aeródromos</p>	<p>La formación de piloto a distancia definida por EASA no incluye la familiarización con el AIP y la interpretación de cartas aeronáuticas por lo que deberá evidenciarse en anexo de la Evaluación y atenuación del riesgo operacional (consulta AIP/insignia).</p>

MAE30	Estratégica	Planificación adecuada de la operación para mantener la conciencia situacional. En caso de que el piloto “no tenga visual del entorno” o se vuele 15 m por encima del obstáculo más alto situado dentro de un radio de 50 m desde el UAS deberá valerse de observadores del espacio aéreo y/u otros medios (radio aeronáutica) para evitar que se produzca un encuentro fortuito con una aeronave tripulada.	- Categoría abierta - STS-ES-01 - Categoría específica bajo autorización	- Fuera de las distancias de seguridad de aeródromos - Dentro de las distancias de seguridad de aeródromos	Especialmente en entornos urbanos donde es más difícil observar otros usuarios del espacio aéreo (subcategoría A1 y A2 y STS-ES-01).
MAE31	Estratégica	Altura máxima 100 m. El ATSP podrá requerir una altura máxima de operación inferior para una operación en concreto.	- STS-ES-02	- Fuera de las distancias de seguridad de aeródromos - Dentro de las distancias de seguridad de aeródromos	
MAE32	Estratégica	Limitación de la altura máxima de 120 m o 15 m por encima del obstáculo más alto situado dentro de un radio de 50 m desde el UAS. El ATSP podrá requerir una altura máxima de operación inferior para una operación en concreto.	- Categoría abierta - STS-ES-01	- Fuera de las distancias de seguridad de aeródromos - Dentro de las distancias de seguridad de aeródromos	

MAE33	Estratégica	Limitación de altura máxima o mínima según las características del CONOPS. El ATSP podrá requerir una altura máxima o mínima de operación para una operación en concreto.	- Categoría específica bajo autorización		Por defecto 120m si el CONOPS no especifica otra mayor o menor. En la coordinación pretáctica, en función del lugar concreto de operaciones, podrá determinarse justificadamente una altura diferente siempre dentro del CONOPS de la categoría operacional.
MAE34	Estratégica	Disponer de luces u otros dispositivos o pintura adecuada para garantizar la visibilidad.	- Categoría abierta - STS-ES-01 - STS-ES-02 - Categoría específica bajo autorización	- Fuera de las distancias de seguridad de aeródromos - Dentro de las distancias de seguridad de aeródromos	Art. 46.1.e RD 1180/2018 Será requerido para vuelos nocturnos.
MAE35	Estratégica	Disponer de transponder u otro sistema de identificación (p.ej. ADS-b “out”) para los servicios de tránsito aéreo.	- STS-ES-02 - Categoría específica bajo autorización	- Fuera de las distancias de seguridad de aeródromos por encima de 120 m de altura - Dentro de las distancias de seguridad de aeródromos	Podrá ser requerida por ATSP.

MAE36	Estratégica	Disponer de transpondedor Modo S.	<ul style="list-style-type: none"> - STS-ES-02 - Categoría específica bajo autorización 	<ul style="list-style-type: none"> - Fuera de las distancias de seguridad de aeródromos - Dentro de las distancias de seguridad de aeródromos 	<p>Art. 46.2 RD 1180/2018</p> <p>Solo en espacio aéreo controlado.</p> <p>Salvo UAS con MTOM inferior a 25kg en VLOS.</p>
MAT01	Táctica	Comprobación de las actividades y advertencias para los usuarios del espacio aéreo (NOTAM, etc.) en la zona donde tendrán lugar las operaciones UAS. A este respecto, deberá usarse como mínimo la aplicación ENAIRE DRONES.	<ul style="list-style-type: none"> - Categoría abierta - STS-ES-01 	<ul style="list-style-type: none"> - Fuera de las distancias de seguridad de aeródromos 	
MAT02	Táctica	Comprobación de las actividades y advertencias para los usuarios del espacio aéreo (NOTAM, etc.) en la zona donde tendrán lugar las operaciones UAS. A este respecto, deberán usarse las plataformas INSIGNIA e ICARO XXI y, en concreto, la funcionalidad “BOL” de Boletines de esta última, con toda la información de interés respecto de un aeródromo o zona de operaciones.	<ul style="list-style-type: none"> - Categoría abierta - STS-ES-01 - STS-ES-02 - Categoría específica bajo autorización 	<ul style="list-style-type: none"> - Fuera de las distancias de seguridad de aeródromos (aplicable a STS-ES-02 y categoría específica bajo autorización) - Dentro de las distancias de seguridad de aeródromos. 	La formación de piloto a distancia definida por EASA no incluye la consulta e interpretación de NOTAM por lo que deberá evidenciarse en anexo de la Evaluación y atenuación del riesgo operacional.

MAT03	Táctica	Consulta del ATIS/DATIS.	<ul style="list-style-type: none"> - Categoría abierta - STS-ES-01 - STS-ES-02 - Categoría específica bajo autorización 	<ul style="list-style-type: none"> - Dentro de las distancias de seguridad de aeródromos 	<p>La formación de piloto a distancia definida por EASA no incluye la familiarización con el AIP y la interpretación de cartas aeronáuticas por lo que deberá evidenciarse en anexo de la Evaluación y atenuación del riesgo operacional (consulta frecuencias ATIS en AIP).</p> <p>O en otro caso deberá indicarse por parte del ATSP la frecuencia concreta del ATIS durante la coordinación táctica.</p>
MAT04	Táctica	Mantenerse a la escucha activa en la frecuencia aeronáutica correspondiente o, en su defecto, poder comunicarse mediante sistema de telefonía móvil (volumen de sonido adecuado y con cobertura).	<ul style="list-style-type: none"> - Categoría abierta - STS-ES-01 - STS-ES-02 - Categoría específica bajo autorización 	<ul style="list-style-type: none"> - Dentro de las distancias de seguridad de aeródromos - Fuera de las distancias de seguridad de aeródromos 	

MAT05	Táctica	Contactar con la dependencia ATS con la antelación indicada por el ATSP según procedimiento de coordinación para verificar la viabilidad de la operación.	<ul style="list-style-type: none"> - Categoría abierta - STS-ES-01 - STS-ES-02 - Categoría específica bajo autorización 	<ul style="list-style-type: none"> - Fuera de las distancias de seguridad de aeródromos - Dentro de las distancias de seguridad de aeródromos 	
MAT06	Táctica	Contar con la previa autorización del control de tránsito aéreo o comunicación al personal de información de vuelo de aeródromo (AFIS) . En el primer contacto con las dependencias de los servicios de tránsito aéreo los indicativos de llamada de las aeronaves no tripuladas deberán incluir las palabras “No tripulado” o “Unmanned”.	<ul style="list-style-type: none"> - Categoría abierta - STS-ES-01 - STS-ES-02 - Categoría específica bajo autorización 	<ul style="list-style-type: none"> - Fuera de las distancias de seguridad de aeródromos - Dentro de las distancias de seguridad de aeródromos 	Art. 45.3.c RD 1180/2018
MAT07	Táctica	Cuando se realicen operaciones autónomas, en el primer contacto con las dependencias de los servicios de tránsito aéreo los indicativos de llamadas de las aeronaves no tripuladas autónomas deberán incluir las palabras “No tripulado autónomo” o “unmanned autonomous”.	<ul style="list-style-type: none"> - Categoría específica bajo autorización 	<ul style="list-style-type: none"> - Fuera de las distancias de seguridad de aeródromos - Dentro de las distancias de seguridad de aeródromos 	
MAT08	Táctica	Comunicar la finalización de la operación a la dependencia de servicios de tránsito aéreo (ATS).	<ul style="list-style-type: none"> - Categoría abierta - STS-ES-01 - STS-ES-02 - Categoría específica bajo autorización 	<ul style="list-style-type: none"> - Fuera de las distancias de seguridad de aeródromos - Dentro de las distancias de seguridad de aeródromos 	

MAT09	Táctica	La disponibilidad y ejecución por parte del operador de UAS de procedimientos específicos ante situaciones anormales y de emergencia, que tenga como medida principal el aviso por radio/teléfono a la dependencia ATS en caso de pérdida de control del UAS (fly-away).	<ul style="list-style-type: none"> - Categoría abierta - STS-ES-01 - STS-ES-02 - Categoría específica bajo autorización 	<ul style="list-style-type: none"> - Fuera de las distancias de seguridad de aeródromos - Dentro de las distancias de seguridad de aeródromos 	
MAT10	Táctica	Análisis previo de la cobertura VHF en la zona de operaciones prevista, así como de la cobertura de red de telefonía en caso de utilizar este medio tanto como sistema principal de comunicaciones o como alternativo, si el medio principal falla. De forma previa a iniciar la operación, se deberá estar en disposición de realizar una prueba de radio y/o llamada, cuya conveniencia quedará a criterio de la dependencia ATS.	<ul style="list-style-type: none"> - Categoría abierta - STS-ES-01 - STS-ES-02 - Categoría específica bajo autorización 	<ul style="list-style-type: none"> - Fuera de las distancias de seguridad de aeródromos - Dentro de las distancias de seguridad de aeródromos 	
MAT11	Táctica	Para aeronaves no tripuladas ancladas , cuando la ubicación del vuelo de la aeronave no tripulada tenga lugar en las trayectorias estándar de vuelo de las aeronaves tripuladas, se garantizará que la operación pueda ser suspendida mediante el aterrizaje de la aeronave no tripulada con margen previo suficiente al sobrevuelo de dicha zona por la aeronave tripulada.	<ul style="list-style-type: none"> - Categoría abierta - STS-ES-01 - Categoría específica bajo autorización 	<ul style="list-style-type: none"> - Fuera de las distancias de seguridad de aeródromos >60m - Dentro de las distancias de seguridad de aeródromos 	El operador indicará en las características técnicas del UAS los tiempos de recogida de la aeronave no tripulada anclada.

MAT12	Táctica	Solicitar asesoramiento anticolidión o información de tránsito respecto de aeronaves tripuladas en las inmediaciones.	- Categoría abierta - STS-ES-01 - STS-ES-02 - Categoría específica bajo autorización	- Dentro de las distancias de seguridad de aeródromos	
MAT13	Táctica	Solicitar asesoramiento anticolidión o información de tránsito respecto de aeronaves tripuladas en las inmediaciones.	- Categoría específica bajo autorización	- Fuera de las distancias de seguridad de aeródromos por encima de 120 m de altura	
MAT14	Táctica	Verificar el correcto funcionamiento de los sistemas de geoposicionamiento y calidad de la señal, y correcta configuración del geocaging/geofencing.	- Categoría abierta - STS-ES-01 - STS-ES-02 - Categoría específica bajo autorización	- Dentro de las distancias de seguridad de aeródromos	
MAT15	Táctica	Verificar el correcto funcionamiento de los sistemas de geoposicionamiento y calidad de la señal, y correcta configuración del geocaging/geofencing.	- Categoría específica bajo autorización	- Fuera de las distancias de seguridad de aeródromos por encima de 120 m de altura	

MAT16	Táctica	Comprobación del índice K planetario menor a 4.	- Categoría abierta - STS-ES-01 - STS-ES-02 - Categoría específica bajo autorización	- Dentro de las distancias de seguridad de aeródromos	
MAT17	Táctica	Comprobación del índice K planetario menor a 4.	- Categoría específica bajo autorización	- Fuera de las distancias de seguridad de aeródromos por encima de 120 m de altura	
MAT18	Táctica	Contar con procedimientos para mejorar la conciencia situacional del entorno, mediante observador del espacio aéreo dedicado o equipamiento/software geo-referenciado (ej. ADS-B "IN").	- Categoría abierta - STS-ES-01 - STS-ES-02 - Categoría específica bajo autorización	- Dentro de las distancias de seguridad de aeródromos	
MAT19	Táctica	Contar con procedimientos para mejorar la conciencia situacional del entorno, mediante observador del espacio aéreo dedicado o equipamiento/software geo-referenciado (ej. ADS-B "IN").	- Categoría específica bajo autorización	- Fuera de las distancias de seguridad de aeródromos por encima de 120 m de altura	

MAT20	Táctica	Aterrizaje inmediato por comunicación del servicio ATC o información de tránsito por parte del AFIS.	<ul style="list-style-type: none"> - Categoría abierta - STS-ES-01 - STS-ES-02 - Categoría específica bajo autorización 	<ul style="list-style-type: none"> - Fuera de las distancias de seguridad de aeródromos - Dentro de las distancias de seguridad de aeródromos 	
MAT21	Táctica	Cuando se utilice una aeronave no tripulada anclada, se vigilará que el cable y el sistema de anclado no fallan. En caso de producirse una rotura del sistema de contención, se actuará según sus procedimientos anormales y de emergencia, que contendrá como medida principal aterrizar la aeronave y el aviso por radio/teléfono a la dependencia ATS.	<ul style="list-style-type: none"> - Categoría abierta - STS-ES-01 - STS-ES-02 - Categoría específica bajo autorización 	<ul style="list-style-type: none"> - Fuera de las distancias de seguridad de aeródromos - Dentro de las distancias de seguridad de aeródromos 	
MAT22	Táctica	Verificación de la disponibilidad, continuidad, fiabilidad e integridad en las comunicaciones entre piloto y observadores.	<ul style="list-style-type: none"> - STS-ES-02 - Categoría específica bajo autorización 	<ul style="list-style-type: none"> - Fuera de las distancias de seguridad de aeródromos - Dentro de las distancias de seguridad de aeródromos 	También en los casos que se requiera de observadores como medida de mitigación.

APPENDIX III

SAFETY DISTANCES FROM AERODROMES FOR OPERATIONAL RISK ASSESSMENT AND MITIGATION WITH ATSPS IN FIZ AND CONTROLLED AIRSPACE

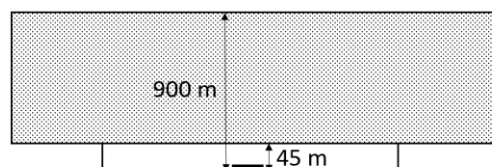
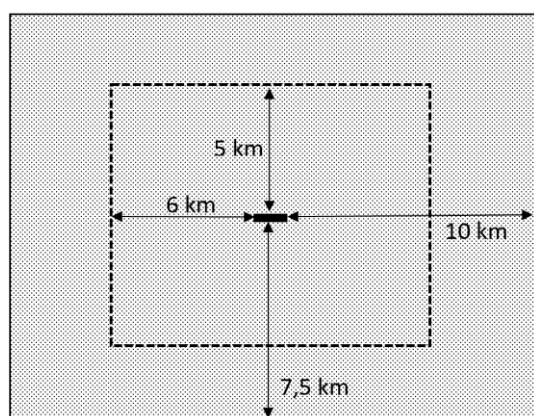
Currently the distances defined for the coordination of UAS operations with aeronautical infrastructures are those included in Section 4 of this guide.

This appendix III provides the **safety distances established for the purpose of risk assessment and risk mitigation** of UAS operations with the Air Traffic Service Provider (ATSP) in FIZ and controlled airspace.

These distances are based on aerodrome obstacle limitation surfaces and general flight procedures for manned aviation on departure and approach to different types of aerodromes. Within these volumes, a higher probability of encounter with aircraft on approach to/ on take-off from these infrastructures, considered as 'aerodrome environment' for the purposes of SORA (Specific Operations and Risk Assessment).

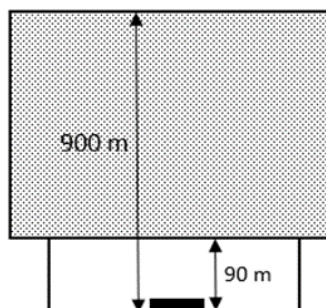
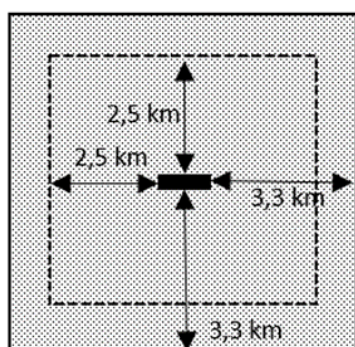
The distances from aerodromes used by ATSPs in the Operational Risk Assessment and Mitigation (EARO) of UAS operations in controlled airspace and FIZ are defined as:

- a) At public and military aerodromes other than heliports:
 - 1) Up to a height of 45 metres measured from the Aerodrome Reference Point (hereinafter ARP): an area of 6 kilometres in length measured from the runway ends in the direction of the runway axis outwards and a width of 5 kilometres on both sides measured from the runway axis. In any case, the lower limit of this volume shall be the surface level.
 - 2) Above 45 metres in height and up to 900 metres in height, both measured from the ARP: an area of 10 kilometres in length measured from the runway ends in the direction of the runway axis extension outwards and a width of 7.5 kilometres on both sides measured from the runway axis.



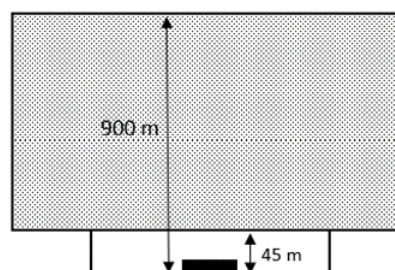
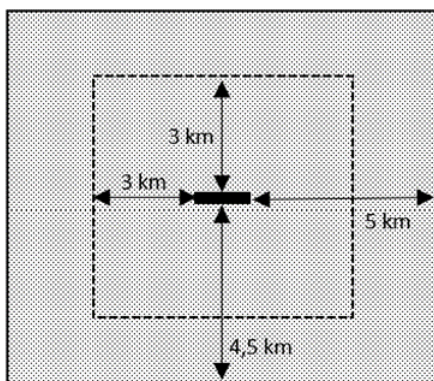
b) At public and military heliports:

- 1) Up to 90 metres in height measured from the Heliport Reference Point, hereinafter HRP: an area of 2.5 kilometres in length measured from the ends of the Final Approach and Take-off Area (hereinafter FATO): in the direction of extension of the axis of the FATO outwards and a width of 2.5 kilometres on both sides measured from the axis of the FATO. In any case, the lower limit of this volume shall be the surface level.
- 2) Above 90 metres in height and up to 900 metres in height, both measured from the HRP: an area of 3.3 kilometres in length measured from the FATO in the direction of prolongation of the FATO axis outwards and a width of 3.3 kilometres on both sides measured from the FATO axis.



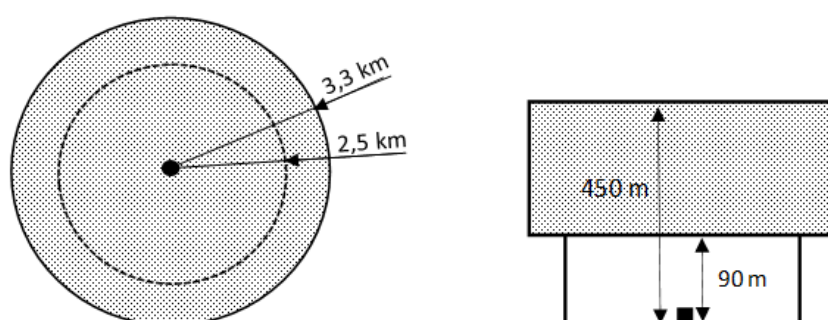
c) In restricted-use aerodromes that are not heliports:

- 1) Up to 45 metres in height measured from the ARP: an area of 3 kilometres in length measured from the runway ends in the direction of the extension of the runway axis outwards and a width of 3 kilometres on both sides measured from the runway axis. In any case, the lower limit of this volume shall be the surface level.
- 2) Above 45 metres in height and up to 900 metres in height, both measured from the ARP: an area of 5 kilometres in length measured from the runway ends in the direction of the extension of the runway axis outwards and a width of 4.5 kilometres on both sides measured from the runway axis.



d) At restricted heliports:

- 1) Up to 90 metres measured from the HRP: a circular area of 2.5 kilometres radius from the centre of the FATO. In those restricted heliports with runway type FATOs longer than 100 metres in length, the above distance, shall be considered as measured from each end of the FATO. In any case, the lower limit of this volume shall be the surface level.
- 2) Above 90 metres in height and up to 450 metres in height, both measured from the HRP: a circular area of 3.3 kilometres radius from the centre of the FATO. For those restricted heliports with runway type FATOs longer than 100 metres in length, the above distance shall be considered as measured from each end of the FATO.



IMPORTANT: The volumes described above are defined solely and exclusively for UAS operations in controlled airspace and FIZ for which the regulations require a risk assessment and mitigation coordinated with the ATSP (limitation described in section 5 of this guide).

Those volumes are therefore independent of the requirement to coordinate with the aerodrome operator described in [section 4](#) about coordination with aerodrome operators.